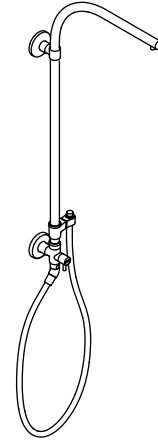


Features

- For use in shower only installations
- Shower column includes shower hose
- Designed for new installations or retrofit to replace an existing installed shower arm
- Incorporates two position diverter for Rainhead showerhead or handshower operation
- For use with temperature/volume control mixing valve (not supplied)
- Check valves installed in shower hose and diverter valve for backflow prevention
- For use with Katalyst™ Rainheads (see table)

**SHOWER COLUMN
K-45211
ALSO K-45212**



Codes/Standards Applicable

Specified model meets or exceeds the following:

- ASME A112.18.1/CSA B125.1

Colors/Finishes

- CP: Polished Chrome
- BN: Brushed Nickel

Specified Model

Model	Description	Colors/Finishes	
K-45211	Shower column – arched (shown)	<input type="checkbox"/> CP	<input type="checkbox"/> BN
K-45212	Shower column – beam	<input type="checkbox"/> CP	<input type="checkbox"/> BN

Optional Accessories			
K-13688	8” Contemporary Round Katalyst Rainhead	<input type="checkbox"/> CP	<input type="checkbox"/> BN
K-13689	10” Contemporary Round Katalyst Rainhead	<input type="checkbox"/> CP	<input type="checkbox"/> BN
K-13692	8” Traditional Round Katalyst Rainhead	<input type="checkbox"/> CP	<input type="checkbox"/> BN
K-13695	8” Contemporary Square Katalyst Rainhead	<input type="checkbox"/> CP	<input type="checkbox"/> BN

Product Specification

The shower column shall be used in shower only installations. Shower column shall include shower hose and incorporate two position diverter for Rainhead showerhead or handshower operation. Product shall have check valves installed in shower hose and diverter valve for backflow prevention. Product shall be used with temperature/volume control mixing valve (not supplied). Product shall be designed for new installations or retrofit to replace an existing installed shower arm. Shower column shall be for use with Katalyst Rainheads (see table). Product shall be Kohler Model K-_____.

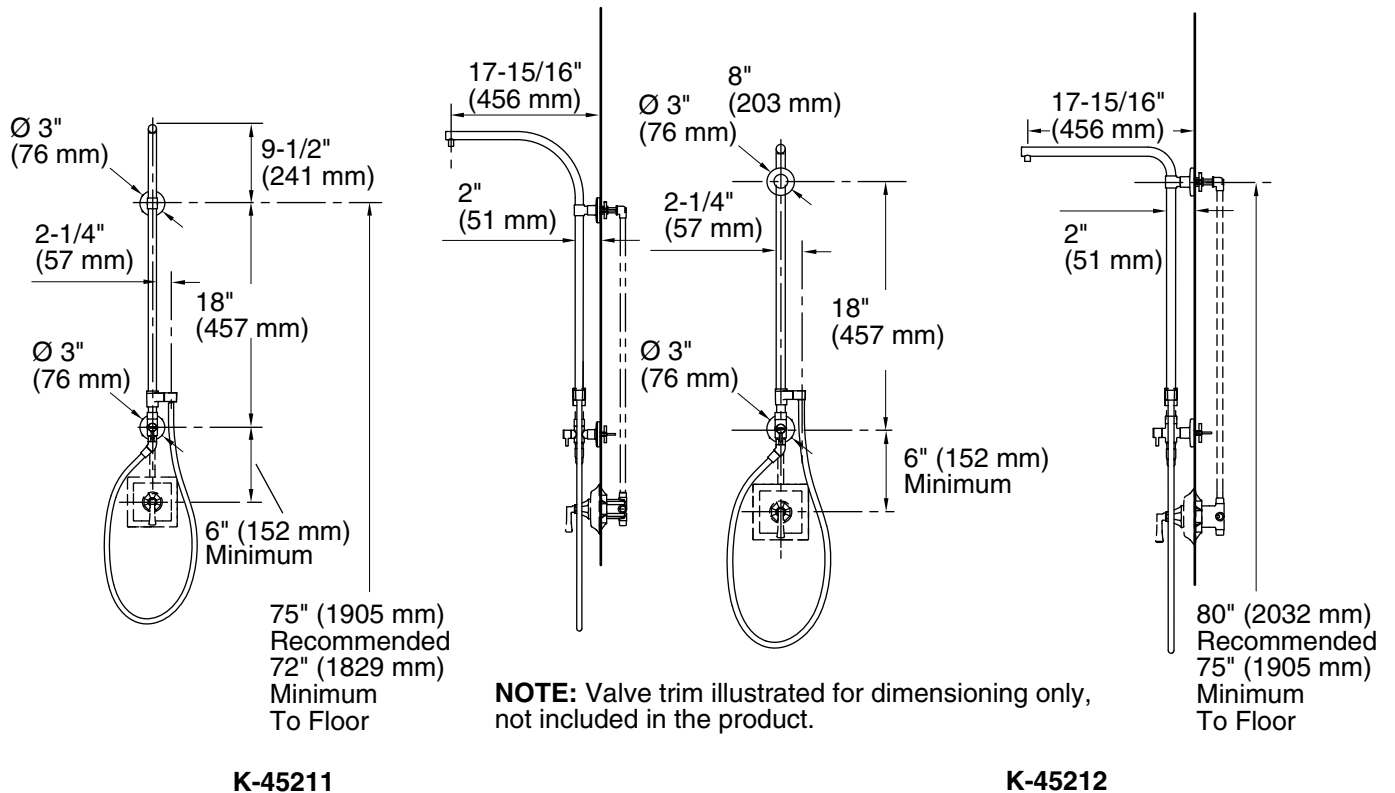
Installation Notes

Install this product according to the installation guide.

IMPORTANT! For retrofit/remodel installations: Check the existing shower enclosure for adequate clearances before proceeding with the shower column installation. Refer to the Roughing-in for the shower column and Rainhead.

Verify the distances between:

- The ceiling and the center of the existing shower arm at the finished wall surface.
- The shower floor and the center of the existing shower arm at the finished wall surface. Ensure sufficient clearance under the Rainhead.
- The center of the existing shower arm and the center of the mixing valve trim.



Product Diagram